

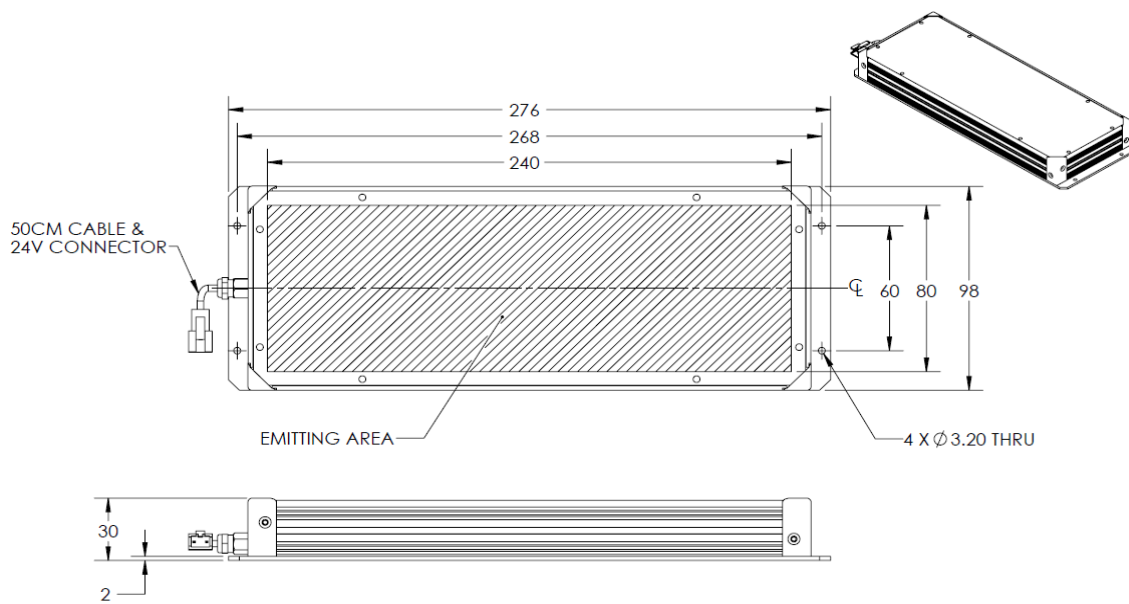


OPTO ENGINEERING

# ILLUMINATOR DATA

## LT3PVZL80X240-00-X-W-24V

### Lighting Dimension



### Mechanical Information

|                           |           |
|---------------------------|-----------|
| Casing Material           | Aluminium |
| Storage Temperature Range | 0 - 45°C  |
| Storage Humidity Range    | 20 - 85%  |
| Weight                    | 680g      |
| Length / Outer Diameter   | 276mm     |
| Width / Inner Diameter    | 98mm      |
| Thickness / Height        | 30mm      |



OPTO ENGINEERING

# ILLUMINATOR DATA

## LT3PVZL80X240-00-X-W-24V

| Lighting Information                        |  |       |       |       |       |       |       |       |       |      |      |   |       |       |       |       |   |       |       |       |       |
|---|--|-------|-------|-------|-------|-------|-------|-------|-------|------|------|---|-------|-------|-------|-------|---|-------|-------|-------|-------|
| Part Number                                 | LT3PVZL80X240-00-X-W-24V   |       |       |       |       |       |       |       |       |      |      |   |       |       |       |       |   |       |       |       |       |
| LED Color                                   | WHITE  |       |       |       |       |       |       |       |       |      |      |   |       |       |       |       |   |       |       |       |       |
| Wavelength                                  | *REFER TO CHROMACITY TABLE   |       |       |       |       |       |       |       |       |      |      |   |       |       |       |       |   |       |       |       |       |
| Working Distance                            | 10                      20                      30   |       |       |       |       |       |       |       |       |      |      |   |       |       |       |       |   |       |       |       |       |
| Intensity (±15%)                            | *FOR FURTHER INFORMATION PLEASE CONTACT US   |       |       |       |       |       |       |       |       |      |      |   |       |       |       |       |   |       |       |       |       |
| Illumination (number of row)                | X  |       |       |       |       |       |       |       |       |      |      |   |       |       |       |       |   |       |       |       |       |
| Illumination Active Area                    | Active Length / Outer Dia.                      240  |       |       |       |       |       |       |       |       |      |      |   |       |       |       |       |   |       |       |       |       |
|   | Active Width / Inner Dia.                      80  |       |       |       |       |       |       |       |       |      |      |   |       |       |       |       |   |       |       |       |       |
| Emission angle                              | 0  |       |       |       |       |       |       |       |       |      |      |   |       |       |       |       |   |       |       |       |       |
| Eye Safety Class ( IEC62471 )               | EXEMPT   |       |       |       |       |       |       |       |       |      |      |   |       |       |       |       |   |       |       |       |       |
| Chromaticity Table<br>For White colour only | <table border="1"> <tbody> <tr> <td>X</td> <td>0.296</td> <td>0.287</td> <td>0.307</td> <td>0.311</td> <td>X</td> <td>0.311</td> <td>0.307</td> <td>0.33</td> <td>0.33</td> </tr> <tr> <td>Y</td> <td>0.276</td> <td>0.295</td> <td>0.315</td> <td>0.294</td> <td>Y</td> <td>0.294</td> <td>0.315</td> <td>0.339</td> <td>0.318</td> </tr> </tbody> </table> | X     | 0.296 | 0.287 | 0.307 | 0.311 | X     | 0.311 | 0.307 | 0.33 | 0.33 | Y | 0.276 | 0.295 | 0.315 | 0.294 | Y | 0.294 | 0.315 | 0.339 | 0.318 |
| X   | 0.296  | 0.287 | 0.307 | 0.311 | X     | 0.311 | 0.307 | 0.33  | 0.33  |      |      |   |       |       |       |       |   |       |       |       |       |
| Y   | 0.276  | 0.295 | 0.315 | 0.294 | Y     | 0.294 | 0.315 | 0.339 | 0.318 |      |      |   |       |       |       |       |   |       |       |       |       |

| Electrical Information                            |        |
|---|--------|
| Rated Constant Voltage                            | 24V±2% |
| Rated Constant Current                            | 540mA  |
| Power Consumption                                 | 12.96W |
| Casing temperature,<br>After 60 minutes operation | 50.6   |

| Strobe Mode Specification     |  |
|-------------------------------|--|
| *Normal Strobe Voltage        | 24 V   |
| *Normal Strobe Current        | 405mA  |
| Overdrive Voltage Range       | Min: 36V                      Max: 48V       |
| Overdrive Current Range       | Min: 1215mA                      Max: 1620mA |
| Recommended Overdrive Voltage | 36V  |
| **Max. Trigger Pulse Duration | 10 msec                                      |
| **Max. Duty Cycle             | 10%  |

\*Normal strobe means the lighting is operated using the rated power. Overdrive means the power supplied to the lighting exceeded the rated power.


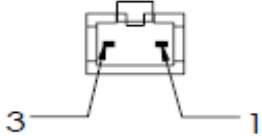
\*\*Overdrive condition must not exceed the max. trigger pulse duration and max. duty cycle.



OPTO ENGINEERING

# ILLUMINATOR DATA

## LT3PVZL80X240-00-X-W-24V

| Connection Information   |             |        |              |
|--|-------------|--------|--------------|
| Connector Type (Default)   | JST SMR-03V |        |              |
| Cable Length   | 50 cm       |        |              |
| Pin Configuration<br><br> | Pin         | Signal | Cable Colour |
|  | 1           | LED +  | Red          |
|  | 2           | N.C    | -            |
|  | 3           | LED -  | White        |
|                          |             |        |              |

| Additional Information         |  |
|--------------------------------|--|
| Additional Cooling Method      | Attached to machine part for better heat dissipation |
| Intensity Controller Selection | SD, ST, ANG, LC, SDA, SDP series                     |
| CE Conformity                  | YES  |
| RoHS Compliance                | YES  |

| Application       |  |
|-------------------|--|
| Illumination Type | Backlight Illumination                                     |
| Application Use   | Lead frame inspection, shape recognition, size measurement |



OPTO ENGINEERING

# ILLUMINATOR DATA

## LT3PVZL80X240-00-X-W-24V

| Lighting Pattern  |  |           |          |           |
|-------------------|--|-----------|----------|-----------|
| Working Distance  | For further details please contact us. |           |          |           |
| Display and Image |  |           |          |           |
| Data Results      | Horizontal                             | Meas.(mm) | Vertical | Meas.(mm) |
|                   | 90%                                    |           | 90%      |           |
|                   | 80%                                    |           | 80%      |           |
|                   | 70%                                    |           | 70%      |           |
|                   | 60%                                    |           | 60%      |           |
|                   | 50%                                    |           | 50%      |           |
|                   | 40%                                    |           | 40%      |           |
|                   | 30%                                    |           | 30%      |           |
|                   | 20%                                    |           | 20%      |           |
|                   | 10%                                    |           | 10%      |           |
|                   |  |           |          |           |